



# B103C / B133C

MODEL: B103C/B133C

## Unibody Flanged End Ball Valve

One Piece Flanged Ball Valve Standard Port Class 150/Class 300

### PRODUCT FEATURES

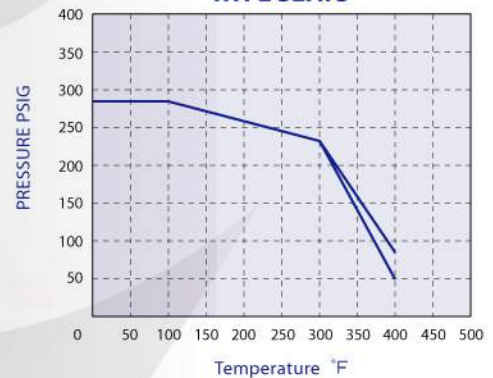
- NACE MR-01-75 Revision 2003 compliant
- Fully compliant to ASME B16.34 and API 608
- ISO 5211 actuator mounting pads & patented "Square Driver" stem design allow direct mounting of ISO operators without brackets and /or adaptors
- Standard stainless locking handles
- Fire-Test API 607 4th Edition & ISO 10497 Approval
- Blow-Out Proof Stem
- Ground Ball Valve and Stem (ANTI-STATIC DEVICE)

### SPECIFICATION

- Investment Cast Body or Sand Cast Body
- Pressure Rating:  
CF8M Class 150 275PSI WOG/ Class 300 720PSI WOG  
WCB Class 150 285 PSI WOG/Class 300 740PSI WOG
- Steam 250PSI (PTFE Seat)
- Size Available: 1/2" - 6"



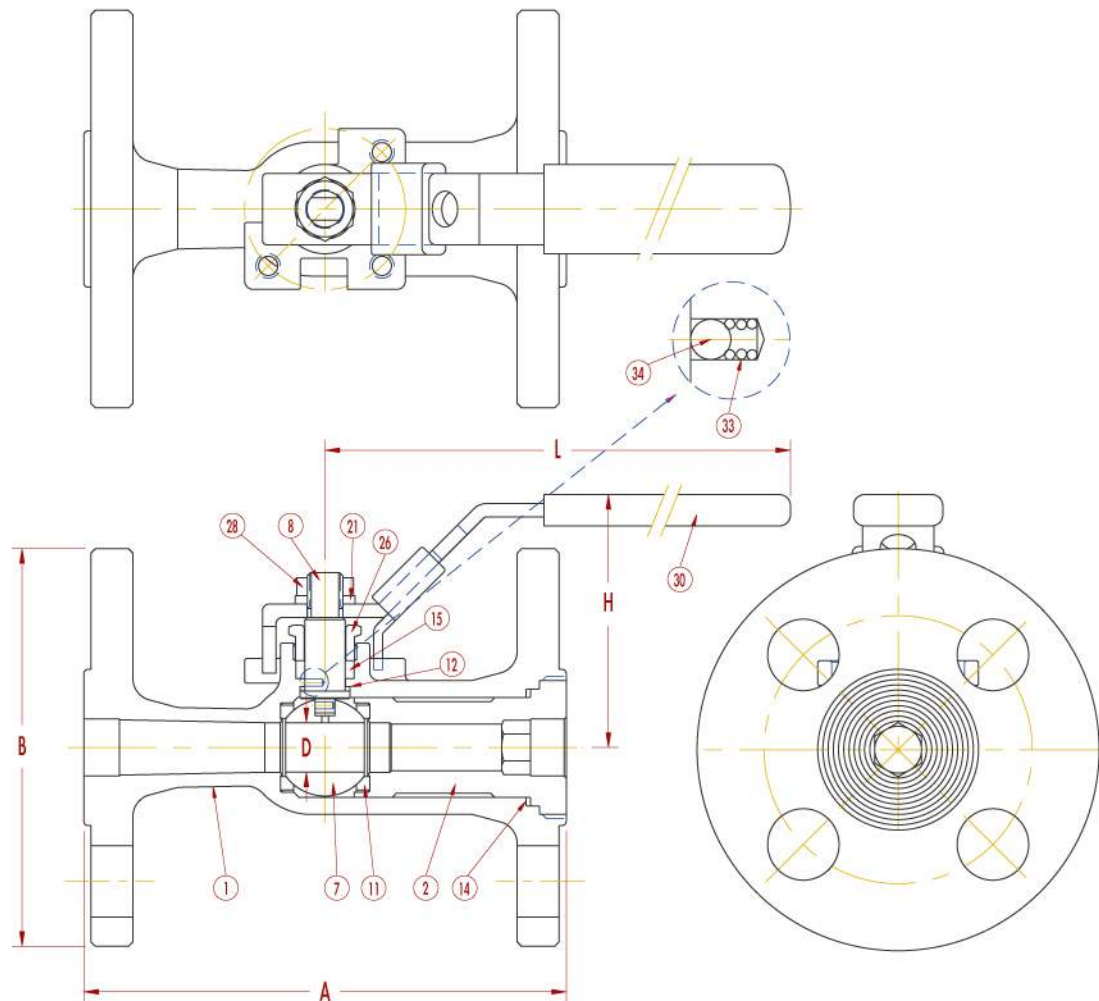
**CLASS 150  
RTFE SEATS**



Keeping Safety  
with safe Valves

KSV valves offer positive solutions for all your flow-control applications

# B103C / B133C



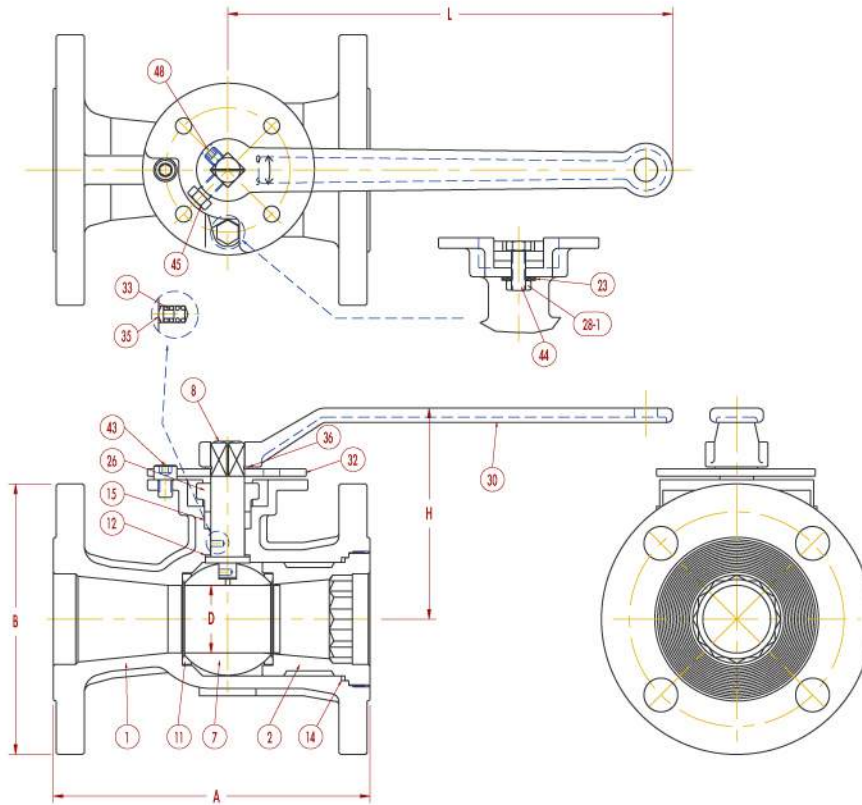
## MATERIAL LIST

ITEM	Q'TY	PART NAME	B103C-1	B103C-3
1	1	BODY	A351-CF8M	A216-WCB
2	1	INSERT	A351-CF8M	A216-WCB
7	1	BALL	A351-CF8M	
8	1	STEM	316 SS	
11	2	SEAT	TFE/RTFE	
12	1	STEM SEAL	PTFE	
14	1	BODY SEAL	PTFE/GRAPHITE	
15	1	STEM PACKING	PTFE/GRAPHITE	
21	1	SPRING WASHER	304 SS	
26	1	GLAND	316 SS	
28	1	NUT	304 SS	
30	1	HANDLE	304 SS	
33	2	SPRING	304 SS	
34	2	ANTI-STATIC BALL	304 SS	

## DIMENSIONS

NPS DN	A		B		D	H	L
	150	300	150	300			
1/2"	4.25	5.50	3.50	3.75	0.43	2.21	5.04
15	108.00	139.70	89.00	95.30	11.00	56.10	128.00
3/4"	4.62	6.00	3.88	4.63	0.59	2.72	5.63
20	117.50	152.40	98.00	117.50	15.00	69.00	143.00
1"	5.00	6.50	4.25	4.88	0.81	2.98	5.63
25	127.00	165.10	108.00	124.00	20.60	75.80	143.00

# B103C / B133C



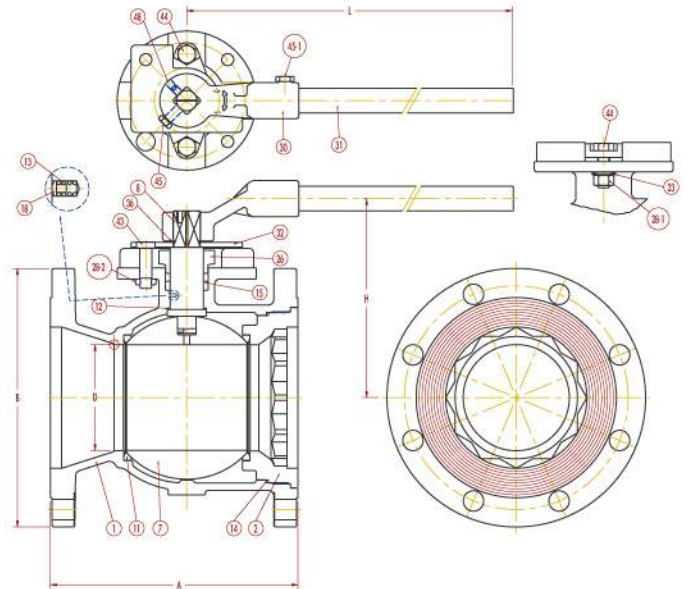
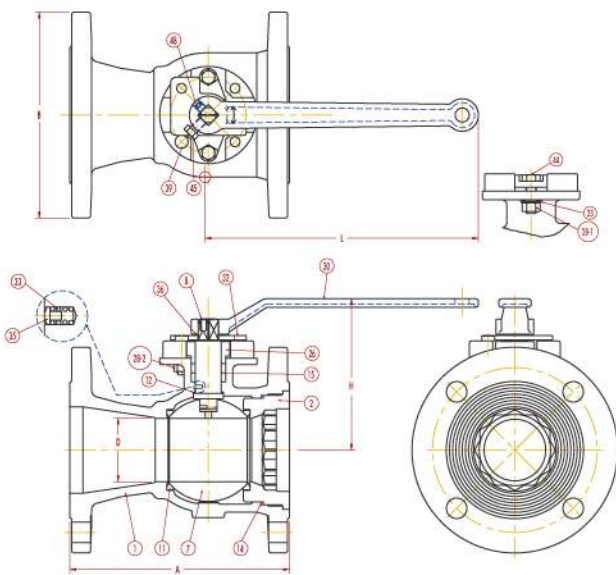
## MATERIAL LIST

ITEM	Q'TY	PART NAME	B103C-1	B103C-3
1	1	BODY	A351-CF8M	A216-WCB
2	1	INSERT	A351-CF8M	A216-WCB
7	1	BALL	A351-CF8M	
8	1	STEM	316 SS	
11	2	SEAT	TFE/RTFE	
12	1	STEM SEAL	PTFE	
14	1	BODY SEAL	PTFE/GRAPHITE	
15	1	STEM PACKING	PTFE/GRAPHITE	
23	4	BELL WASHER	SS	
26	1	GLAND	A351-CF8M	
28-1	2	GLAND NUT	A194 Gr.8	
30	1	HANDLE	A351 CF8M	
32	1	STOPPER PLATE	304 SS	
33	2	SPRING	304 SS	
35	2	PLUNGER	316 SS	
36	1	SNAP RING	SS	
43	1	STOP PIN	304 SS	
44	2	GLAND BOLT	A193 Gr.B8	
45	1	BOLT	304 SS	
48	1	SCREW	304 SS	

## DIMENSIONS

NPS DN	A		B		D	H	L
	150	300	150	300			
1-1/2"	6.50	7.50	5.00	6.12	1.19	4.08	9.84
40	165	190.50	127.00	155.50	30.20	103.70	250.00
2"	7.00	8.50	6.00	6.50	1.50	4.63	9.84
50	178.00	216.00	152.00	165.10	38.00	117.70	250.00
2-1/2"	7.50	N/A	7.00	N/A	2.00	5.40	9.84
65	190.50	N/A	177.80	N/A	50.80	137.20	250.00

# B103C / B133C



## MATERIAL LIST

ITEM	Q'TY	PART NAME	B103C-1	B103C-3
1	1	BODY	A351-CF8M	A216-WCB
2	1	INSERT	A351-CF8M	A216-WCB
7	1	BALL	A351-CF8M	
8	1	STEM	316 SS	
11	2	SEAT	TFE/RTFE	
12	1	STEM SEAL	PTFE	
14	1	BODY SEAL	PTFE/GRAPHITE	
15	2	STEM PACKING	PTFE/GRAPHITE	
23	4	BELL WASHER	SS	
26	1	GLAND	A351-CF8M	
28-1	2	GLAND NUT	A194 Gr.8	
28-2	1	NUT	304 SS	
30	1	HANDLE	A351-CF8M	
31	1	PIPE	A53	
32	1	STOPPER PLATE	304 SS	
33	2	SPRING	304 SS	
35	2	PLUNGER	316 SS	
36	1	SNAP RING	SS	
43	1	STOP PIN	304 SS	
44	2	GLAND BOLT	A193 Gr.8	
45	1	HANDLE BOLT	304 SS	
45-1	1	BOLT	304 SS	
48	1	SCREW	304 SS	

## DIMENSIONS

NPS DN	A		B		D	H	L
	150	300	150	300			
3"	8.00	11.12	7.50	8.26	2.31	5.78	9.84
80	203.00	282.50	190.50	210.00	58.70	146.70	250.00
4"	9.00	12.00	9.00	10.00	3.00	6.62	18.11
100	228.60	305.00	228.60	254.00	76.20	168.20	460.00
6"	10.50	15.88	11.00	12.50	4.51	7.98	18.11
150	267.00	403.35	279.00	318.00	114.50	202.70	460.00



**KONG SHENG VALVE IND., CO., LTD.**  
**KONG JIH VALVE IND., CO., LTD.**

Office.  
 tel. 886-2-2823 9311 fax. 886-2-2823 9319  
 Factory.  
 tel. 886-4-2681 5268 fax. 886-4-2681 5788  
 E-mail: marketing@kshvalve.com