



ONE-PIECE BALL VALVE

**1PC BALL VALVE REDUCE PORT 2000 PSI
Fire Test API 607 4TH Edition Approval
and certified By Lloyd's Register.**

● **PRODUCT FEATURES**

- * One-Piece Ball Valve GROUNDING DEVICE
- * Manufactured & Tested to MSS SP-110, API 608, API 598, ANSI B16.34
- * Various Thread Types Available (NPT, DIN & ISO)
- * For OIL, PETRO CHEMICAL Industrial And Chemical Applications
- * Oval Handle as request
- * Adjustable Stem Packing With Blow-Out Proof Stem

● **SPECIFICATION**

- * Investment Cast Body
- * Pressure Rating: 2000 PSI WOG
- * Size Available: 1/4" to 2"



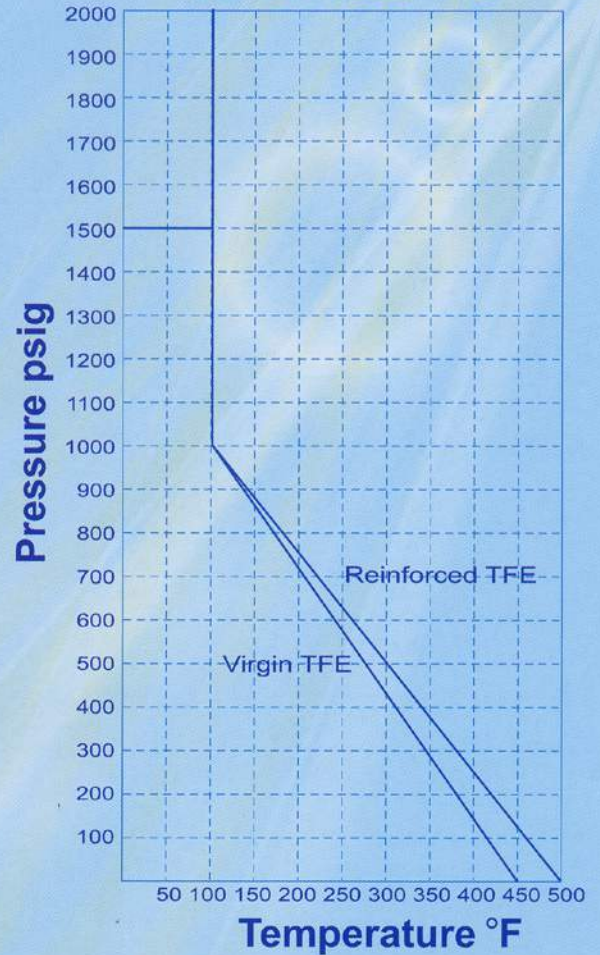
MODEL: B160F

KSV provides the positive solution for all your flow-control applications.

MATERIAL LIST:

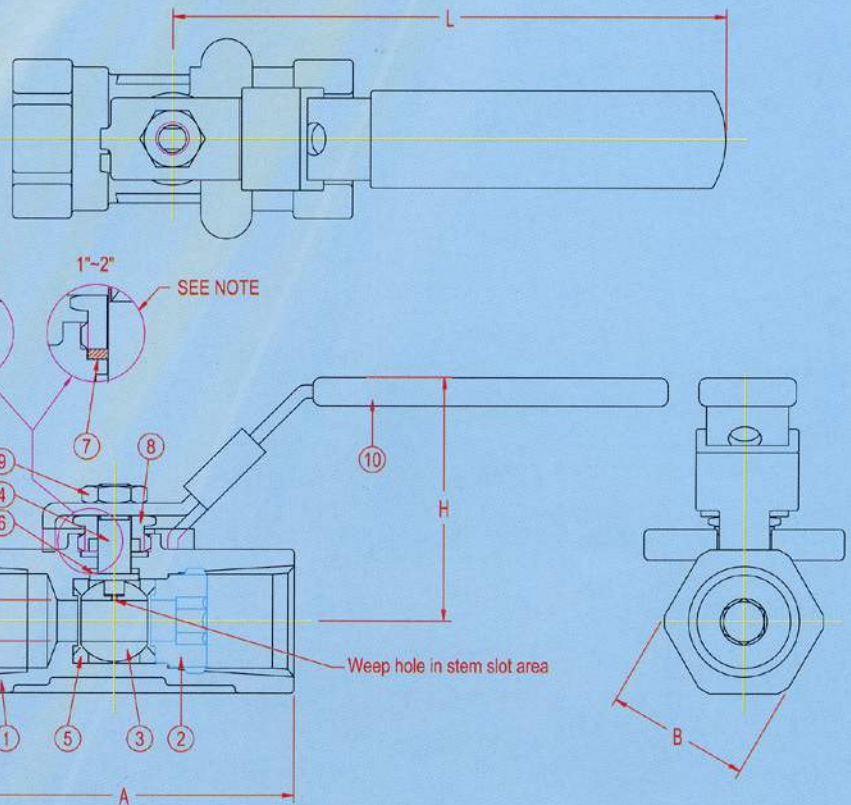
ITEM	QTY	PART NAME	B160F-1	B160F-3
1	1	BODY	A351-CF8M	A216-WCB
2	1	SPACER	A351-CF8M	A216-WCB
3	1	BALL	A276 316 SS/A351-CF8M	
4	1	STEM	A276 316 SS	
5	2	SEAT	TFM 1600	
6	1	STEM SEAL	PTFE	
7	2	STEM PACKING	GRAPHITE	
8	1	GLAND	A276 316 SS	
9	1	NUT	AISI 304 SS	
10	1	LOCK HANDLE	AISI 304 SS	

**R-TFE SEATS
GLASS FILLED TFE**



DIMENSIONS : INCH/mm

NPS DN	A	B	D	L	H
1/4"	2.28	1.10	0.31	4.29	1.97
8	58	28	8	109	50
3/8"	2.28	1.10	0.31	4.29	1.9
10	58	28	8	109	50
1/2"	2.60	1.10	0.31	4.29	1.97
15	66	28	8	109	50
3/4"	2.83	1.34	0.47	4.29	2.20
20	72	34	12	109	56
1"	3.23	1.61	0.62	5.75	2.56
25	82	41	15.8	146	65
1-1/4"	3.54	1.97	0.81	5.75	2.76
32	90	50	20.6	146	70
1-1/2"	3.86	2.24	1.00	7.40	3.29
40	98	57	25.4	188	83.6
2"	4.33	2.76	1.25	7.40	3.49
50	110	70	31.75	188	88.6



KONG SHENG VALVE IND. CO., LTD.
KONG JIH VALVE IND. CO., LTD.
 NO.350 5F SEC 7. CHENG TEH RD.,
 TAIPEI TAIWAN REP. OF CHINA

TEL: 886-2-28239311 886-4-26815268
 FAX: 886-2-28239319 886-4-26815788
 E-mail: service@ksvalve.com / ksv@ms15.hinet.net
 Website: www.ksvalve.com

