



# B160N

MODEL: B160N

## 1-Piece Ball Valve

Reduce Port 2000WOG

### PRODUCT FEATURES

- One-Piece Ball Valve
- Manufacture & Tested to MSS SP-110, API 598
- Various Thread Types Available (NPT, BSP, & Etc.)
- For General Purpose Industrial and Chemical Applications
- Oval Handle as request
- Blow-Out Proof Stem

### SPECIFICATION

- Carbon Steel Hexagon Barstock
- Pressure Rating: 2000 PSI WOG
- Size Available: 1/4" to 2"
- Shell Test at 3000 PSI Water and 100 PSI Air
- Seat Test at 2200 PSI Water and 100 PSI Air

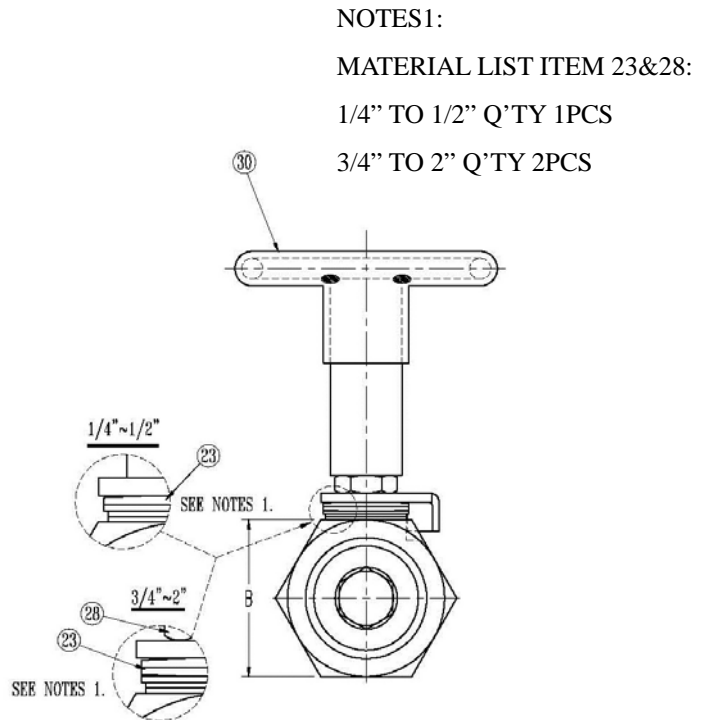
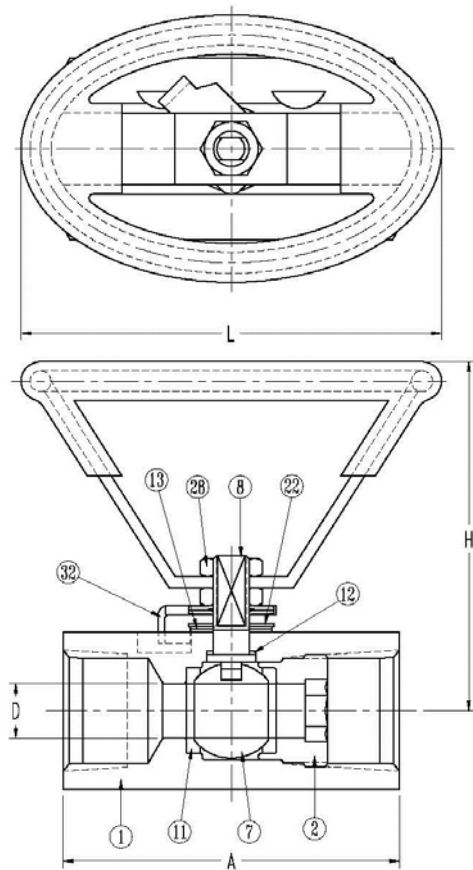


Keeping Safety  
with safe Valves

KSV valves offer positive solutions for all your flow-control applications



# B160N



NOTES1:

MATERIAL LIST ITEM 23&28:

1/4" TO 1/2" Q'TY 1PCS

3/4" TO 2" Q'TY 2PCS

## MATERIAL LIST

ITEM	Q'TY	PART NAME	B160N-3
1	1	BODY	AISI 1017
2	1	SPACER	WCB/1017
7	1	BALL	CF8M/SS 316
8	1	STEM	SS 316
11	2	SEAT	TFE/RTFE
12	1	STEM SEAL	TFE/RTFE
13	2	THRUST WASHER	TFE/RTFE
22	1	PLATE WASHER	SS 304
23	2	BELL WASHER	W1-8 CS(SK5)
28	2	LOCK NUT	A283 CS
30	1	HANDLE	A283 CS
32	1	STOP PLATE	A283 CS

## DIMENSIONS

IN/MM

NPS DN	A	B	D	H	L
1/4"	2.36	1.14	0.35	2.56	3.69
8	60.00	29.00	9.00	65.00	93.70
3/8"	2.36	1.14	0.35	2.56	3.69
10	60.00	29.00	9.00	65.00	93.70
1/2"	2.76	1.14	0.35	2.56	3.69
15	70.00	29.00	9.00	65.00	93.70
3/4"	2.95	1.38	0.47	2.87	3.69
20	75.00	35.00	12.00	72.80	93.70
1"	3.54	1.61	0.62	3.25	5.04
25	90.00	41.00	15.80	82.50	128.00
1-1/4"	3.74	1.97	0.81	3.42	5.04
32	95.00	50.00	20.50	87.00	128.00
1-1/2"	4.00	2.36	1.00	3.89	5.43
40	101.5	60.00	25.40	98.80	138.00
2"	4.33	2.76	1.25	4.09	5.43
50	110.00	70.00	31.75	103.80	138.00



**KONG SHENG VALVE IND., CO., LTD.**  
**KONG JIH VALVE IND., CO., LTD.**

Office.  
 tel.886-2-2823 9311 fax.886-2-2823 9319  
 Factory.  
 tel.886-4-2681 5268 fax.886-4-2681 5788  
 E-mail:marketing@ksvalve.com