



# B280D

## Economy Ball Valve

**MODEL: B280D**

## 2-Piece Ball Valve Full Port 600WOG

This valve is recommended for applications that deliver water for human consumption, including commercial and residential constructions.

### PRODUCT FEATURES

- Lead Free
- An ideal product for drinking water application
- Blowout-Proof Stem
- Standard Lever Handle

### SPECIFICATION

- Investment Cast Body
- Material: ASTM A351-CF8M, CF8 /SS 304 valve body and cap
- Trim: SS304/SS316
- Pressure Rating: 600WOG
- Size Available: 1/4"~2"

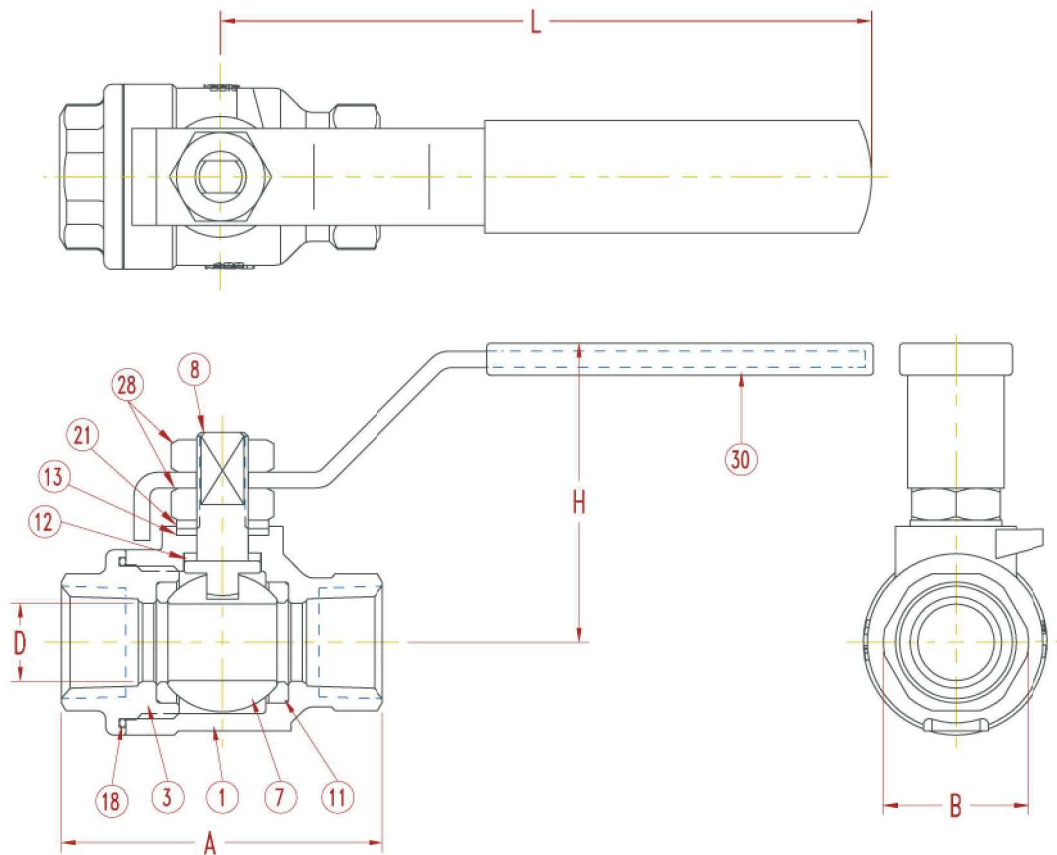


Keeping Safety  
with safe Valves

KSV valves offer positive solutions for all your flow-control applications

**A01-1311**

# B280D



## MATERIAL LIST

ITEM	QTY	PART NAME	B280D-1
1	1	BODY	ASTM A351-CF8M, CF8 / SS 304
3	1	BODY CAP	ASTM A351-CF8M, CF8 / SS 304
7	1	BALL	SS 304 / SS 316
8	1	STEM	SS 304 / SS 316
11	2	SEAT	RTFE / PTFE
12	1	STEM SEAL	RTFE / PTFE
13	1	THRUST WASHER	RTFE / PTFE
18	1	O-RING	NBR
21	1	PLATE WASHER	SS 304
28	2	NUT	SS 304
30	1	HANDLE	SS 304

## DIMENSIONS

NPS DN	A	B	D	L	H	IN/MM
						WEIGHT LBS/KG
1/4"	1.57	0.67	0.37	3.15	1.46	0.22
8	40.00	17.00	9.50	80.00	37.2	0.10
3/8"	1.59	0.83	0.37	3.15	1.46	0.22
10	40.5	21.00	9.50	80.00	37.2	0.10
1/2"	1.85	1.02	0.49	3.15	1.55	0.29
15	47.00	26.00	12.50	80.00	39.55	0.13
3/4"	2.28	1.26	0.75	4.72	1.91	0.73
20	58.00	32.00	19.00	120.00	48.6	0.33
1"	2.65	1.49	0.98	4.72	2.14	0.99
25	67.40	38.00	25.00	120.00	54.4	0.45
1-1/4"	3.16	1.91	1.25	5.12	2.73	1.72
32	80.20	48.50	31.75	130.00	69.4	0.78
1-1/2"	3.48	2.20	1.50	7.09	2.99	2.45
40	88.50	56.00	38.00	180.00	76.00	1.11
2"	4.13	2.72	1.97	7.09	3.35	3.90
50	105.00	69.00	50.00	180.00	85.00	1.77