

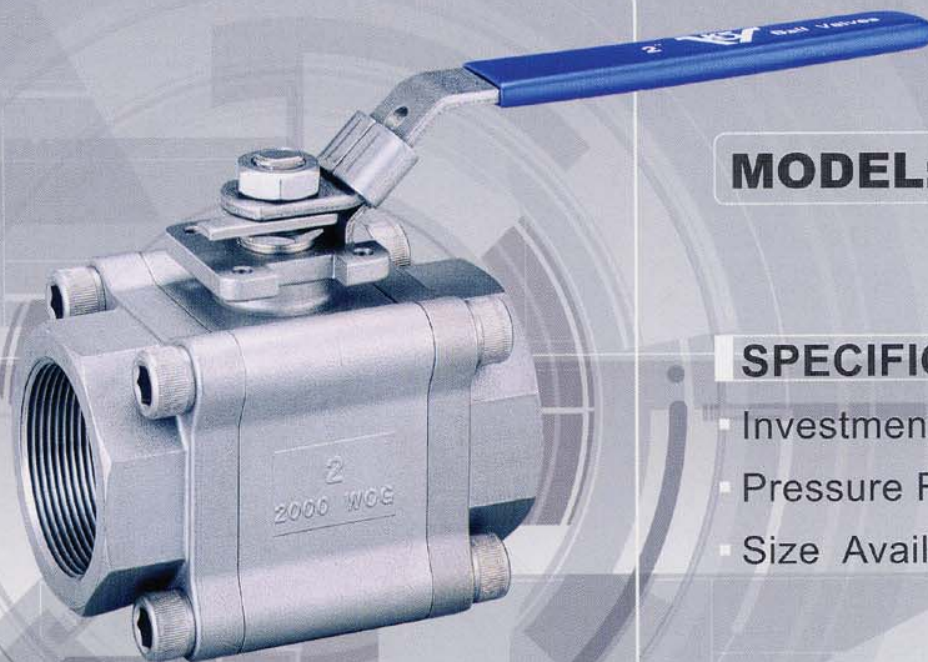


THREE-PIECE BALL VALVE

3PC BALL VALVE STANDARD PORT 2000 PSI

PRODUCT FEATURES

- Three-Piece Swing-Out Design for easy maintainance
- Meet NACE MR0175
- Manufactured & Tested to MSS SP-61, SP-82, SP-110, API 608, API 598, ANSI B16.34
- Various Thread Types Available (NPT, DIN & ISO)
- Various End Connections Available
(Socket Weld End, Butt Weld End, Extended Butt Weld End)
- Adjustable Stem Packing With Blow-Out Proof Stem
- For General Purpose Industrial And Chemical Applications
- Oval Handle Option
- Standard Internal Anti-Static Device
- Fire Test API 607 4TH Edition Approved
- Clsoed Bolt Design



MODEL: B380F

SPECIFICATION

- Investment Body
- Pressure Rating: 2000 PSI WOG
- Size Available: 1/2" to 2"

KSV provides the positive solution for all your flow-control applications.

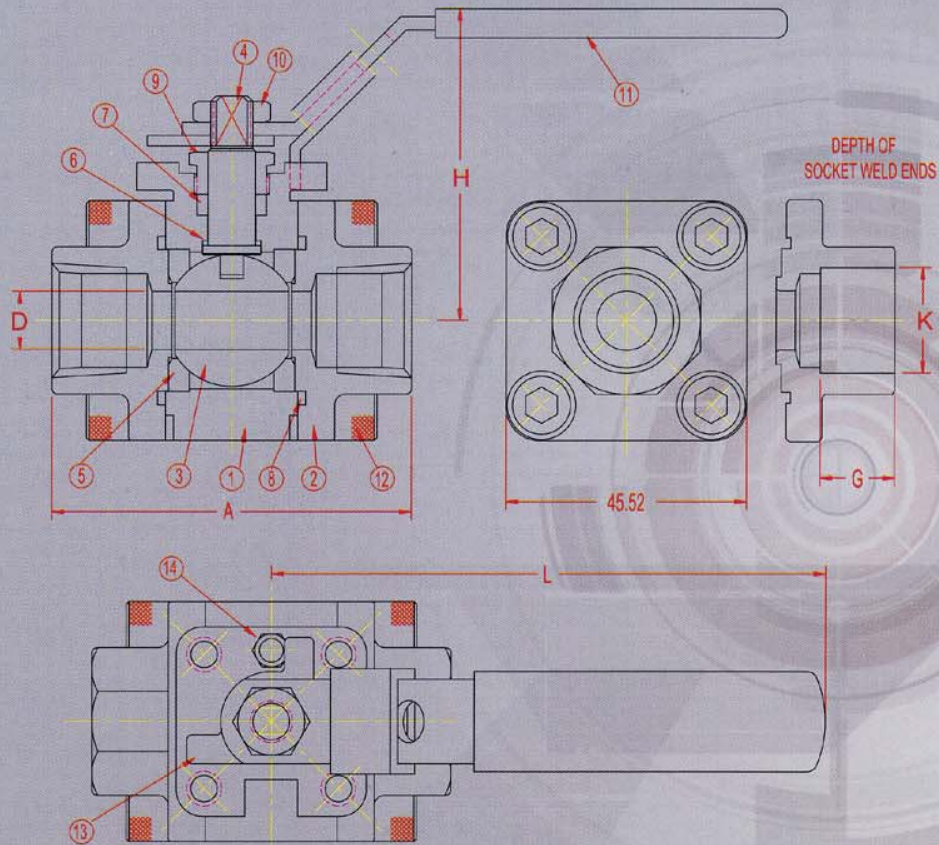
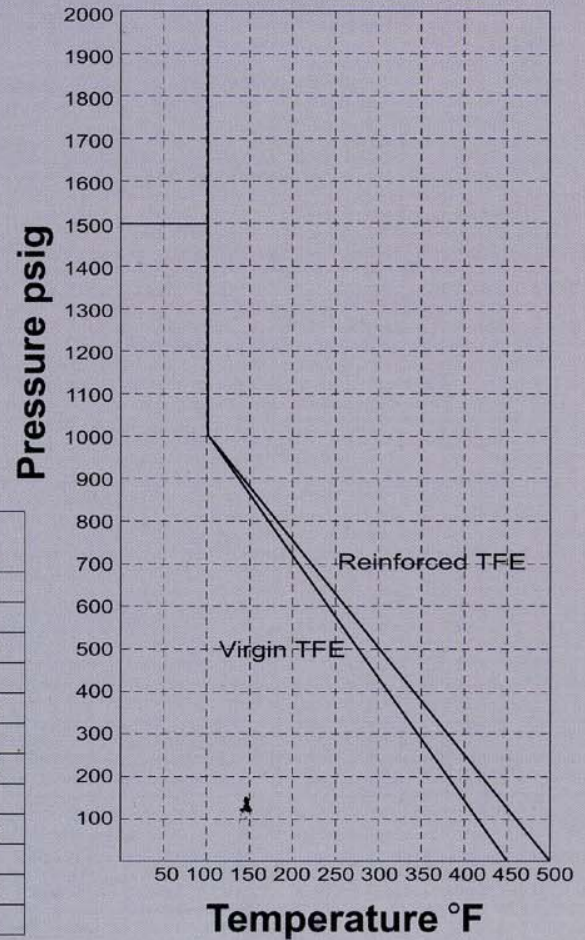
MATERIAL LIST:

ITEM	QTY	PART NAME	B380F-1	B380F-3
1	1	BODY	A351-CF8M	A216-WCB
2	2	BODY CAP	A351-CF8M	A216-WCB
3	1	BALL	A351-CF8M	
4	1	STEM	316 SS	
5	2	SEAT	RTFE/TFE/TFM	
6	1	STEM SEAL	CARBON 25%+TFELON 75%/TFE/RTFE	
7	1	STEM PACKING	GRAFOIL/TFE	
8	2	UNION SEAL	RTFE/GRAFOIL/TFM	
9	1	GLAND	304 SS/1045 CS	
10	1	HANDLE NUT	304 SS	
11	1	HANDLE	304 SS	A283 CS
12	8	CAP BOLT	A193-B8	A193-B7
13	1	STOP PLATE	304 SS	
14	1	LOCK PIN	304 SS	

DIMENSIONS:

NPS DN	A	H	L	D	G	K
1/2"	2.72	2.47	4.92	0.43	0.38	0.86
15	69.00	62.70	125.00	11.00	9.65	21.97
3/4"	2.94	2.70	4.92	0.55	0.50	1.07
20	74.6	68.70	125.00	14.00	12.70	27.31
1"	3.50	3.19	4.92	0.81	0.50	1.34
25	89.00	80.95	125.00	20.60	12.70	34.04
1-1/4"	3.90	3.64	6.89	0.98	0.50	1.69
32	99.00	92.50	175.00	25.00	12.70	42.80
1-1/2"	4.42	3.88	7.68	1.25	0.50	1.93
40	112.20	98.50	195.00	31.75	12.70	48.90
2"	5.04	4.09	7.68	1.50	0.62	2.42
50	128.00	104.00	195.00	38.00	15.75	61.37

**R-TFE SEATS
GLASS FILLED TFE**



KONG SHENG VALVE IND. CO., LTD.
KONG JIH VALVE IND. CO., LTD.
 NO.350 5F SEC 7, CHENG TEH RD.,
 TAIPEI TAIWAN REP. OF CHINA

TEL: 886-2-28239311 886-4-26815268
 FAX: 886-2-28239319 886-4-26815788
 E-mail: service@ksvalve.com / ksv@ms15.hinet.net
 Website: www.ksvalve.com

