



THREE-PIECE BALL VALVE

3PC BALL VALVE FULL PORT 1000 PSI

● **PRODUCT FEATURES**

- * Three-Piece Swing-Out Design for easy maintenance
- * Meet NACE MR0175
- * Manufactured & Tested to MSS SP-61, SP-82, SP-110, API 608, API 598, ANSI B16.34
- * Various Thread Types Available (NPT, DIN & ISO)
- * Various End Connections Available Threaded (Socket Weld End, Butt Weld End, Extended Butt Weld End, Clamp End)
- * Adjustable Stem Packing With Blow-Out Proof Stem
- * For General Purpose Industrial And Chemical Applications
- * Oval Handle Option
- * Standard Internal Anti-Static Device

● **SPECIFICATION**

- * Investment Cast Body
- * Pressure Rating: 1000 PSI WOG
- * Size Available: 1/4" to 4"



MODEL: B380K

KSV provides the positive solution for all your flow-control applications.

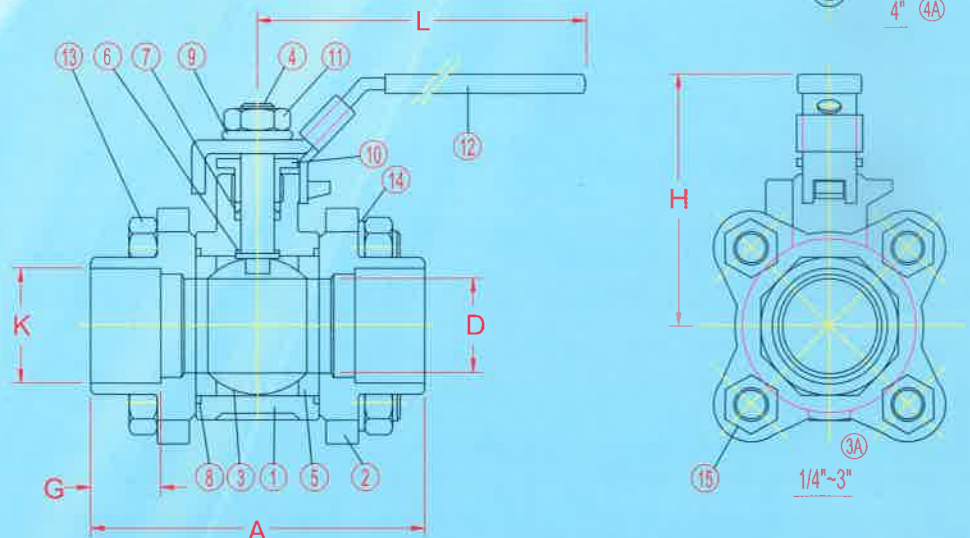
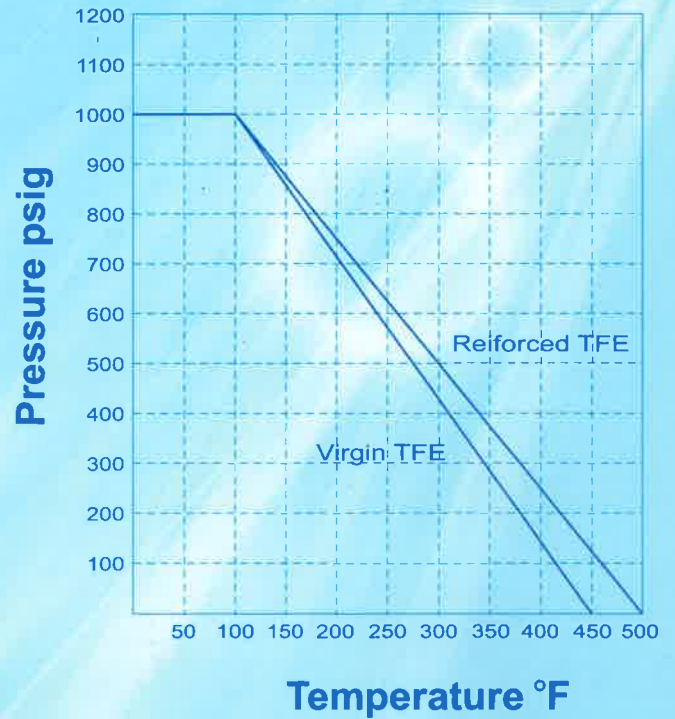
MATERIAL LIST:

ITEM	QTY	PART NAME	B380K-1	B380K-3
1	1	BODY	A351-CF8M	A216-WCB
2	2	BODY CAP	A351-CF8M	A216-WCB
3	1	BALL	A351-CF8M	
4	1	STEM	316 SS	
5	2	SEAT	TFE/RTFE	
6	1	STEM SEAL	TFE/RTFE	
7	1 SET	STEM PACKING	TFE	
8	2	UNION SEAL	TFE/RTFE	
9	1	SPRING WASHER	304 SS	1008 CS
10	1	GLAND	304 SS	1045 CS
11	1	HANDLE NUT	304 SS	A283 CS
12	1	HANDLE	304 SS	A283 CS
13	1 SET	CAP BOLT	304 SS	A283 CS
14	1 SET	SPRING WASHER	304 SS	1008 CS
15	1 SET	CAP NUT	304 SS	A283 CS

DIMENSIONS:

NPS DN	A	D	G	K	H	L	WEIGHT LBS/KGS
1/4"	2.37	0.43	0.38	0.56	2.18	4.29	0.97
8	60.20	11.00	9.65	14.35	55.50	109.00	0.44
3/8"	2.37	0.43	0.38	0.70	2.18	4.29	0.97
10	60.20	11.00	9.65	17.78	55.50	109.00	0.44
1/2"	2.76	0.56	0.38	0.86	2.38	4.29	1.23
15	70.20	14.20	9.65	21.97	60.50	109.00	0.56
3/4"	3.03	0.81	0.50	1.07	2.87	5.75	1.91
20	76.90	20.50	12.70	27.31	73.00	146.00	0.87
1"	3.63	1.00	0.50	1.34	2.95	5.75	2.93
25	92.20	25.40	12.70	34.04	75.00	146.00	1.33
1-1/4"	4.14	1.25	0.50	1.69	3.66	7.40	4.27
32	105.20	31.75	12.70	42.80	93.00	188.00	1.94
1-1/2"	4.73	1.50	0.50	1.93	3.94	7.40	6.01
40	120.20	38.10	12.70	48.90	100.00	188.00	2.73
2"	5.43	1.97	0.62	2.42	4.25	7.99	9.50
50	138.00	50.00	15.75	61.37	108.00	203.00	4.32
2-1/2"	6.69	2.50	0.62	2.92	4.86	9.96	17.38
65	170.00	63.50	15.75	74.13	123.50	253.00	7.90
3"	7.52	3.00	0.62	3.55	5.26	9.96	26.20
80	191.00	76.00	15.75	90.11	133.50	253.00	11.90
4"	8.54	3.93	0.87	4.56	6.57	11.93	44.10
100	217.00	100.00	22.20	115.76	167.00	303.00	20.00

**R-TFE SEATS
GLASS FILLED TFE**



KONG SHENG VALVE IND. CO., LTD.
KONG JIH VALVE IND. CO., LTD.
 NO.350 5F SEC 7. CHENG TEH RD.,
 TAIPEI TAIWAN REP. OF CHINA

TEL: 886-2-28239311 886-4-26815268
 FAX: 886-2-28239319 886-4-26815788
 E-mail: service@ksvalve.com / ksv@ms15.hinet.net
 Website: www.ksvalve.com

