

KSV NA001/NA002

MODEL: NA001/NA002

Needle Valve

Female x Female / Female x Male 10000WOG

PRODUCT FEATURES

- Metal seated
- M x F or F x F connections available
- Carbon Steel or Stainless steel
- Manufacture & Tested to API 598

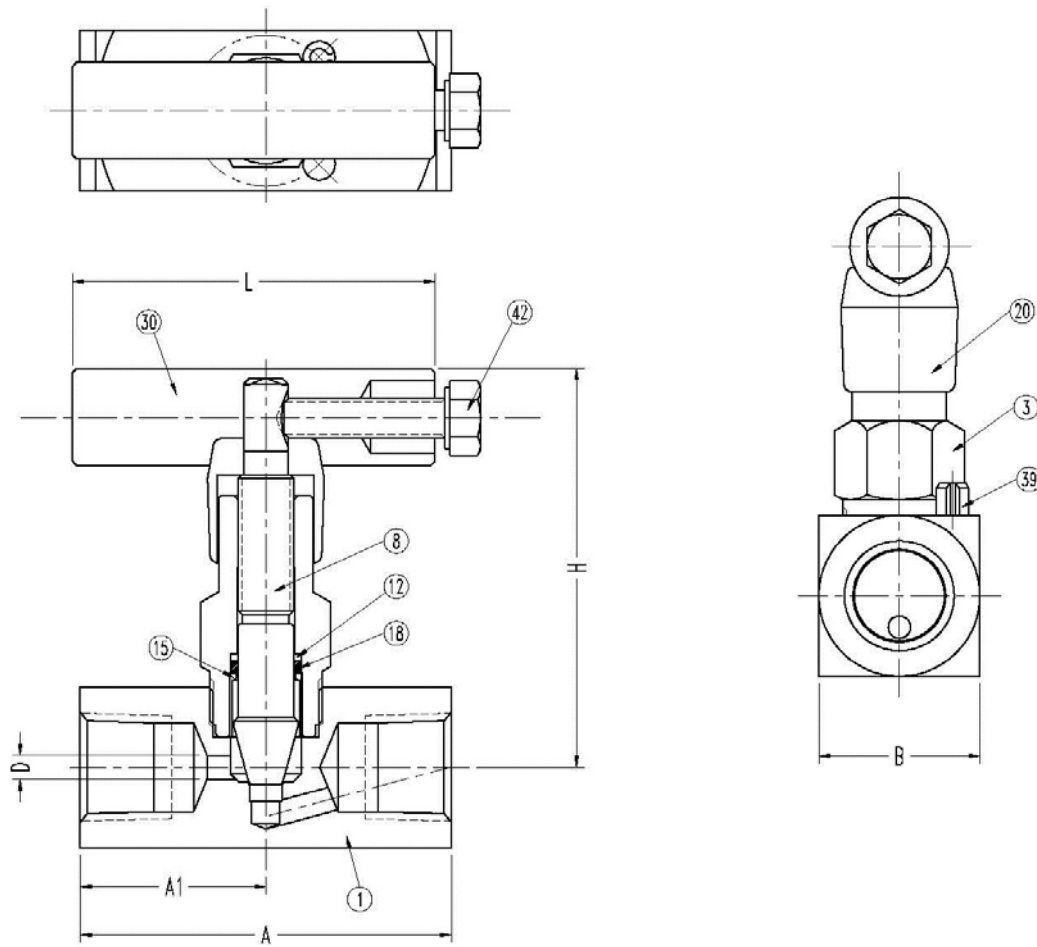
SPECIFICATION

- Pressure Rating: 10000 PSI WOG
- Size Available: 1/4" to 3/4"



Keeping Safety
with safe Valves

KSV valves offer positive solutions for all your flow-control applications



MATERIAL LIST

ITEM	Q'TY	PART NAME	NA001-1	NA001-3
1	1	BODY	A479 T SS 316	AISI 1215
3	1	BONNET	A479 T SS 316	AISI 1215
8	1	STEM	NITRONIC 60	SS 316
12	1	STEM SEAL	PTFE	
15	1	STEM PACKING	NYLON 66	
18	1	O-RING	VITON	
20	1	CAP	DELRIN	
30	1	HANDLE	SS 304	CS
39	1	LOCK PIN	SS 304	
42	1	HANDLE BOLT	SS 304	CS

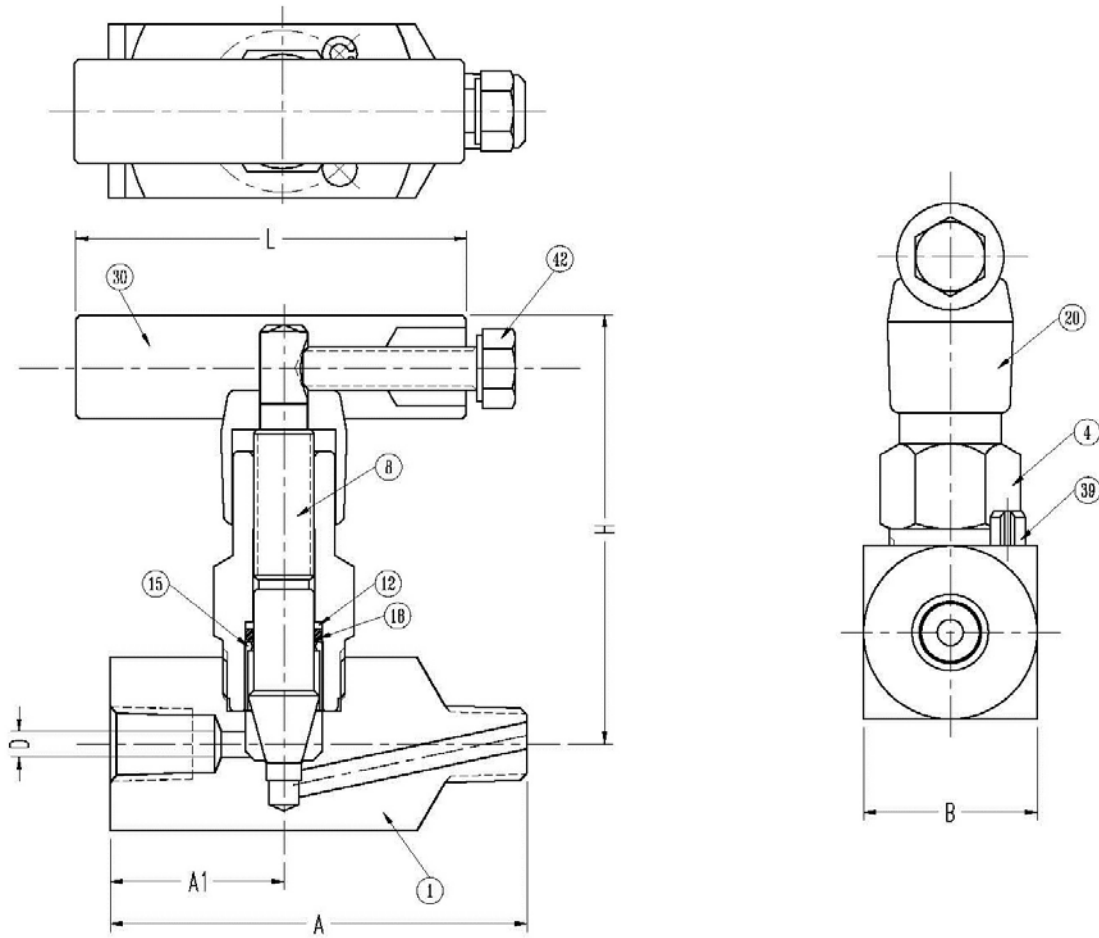
DIMENSIONS

IN/MM

NPS DN	A	A1	B	D	H	L
1/4"	2.50	1.25	1.25	0.19	3.50	2.81
8	63.50	31.75	31.75	4.78	88.90	71.45
3/8"	2.63	1.31	1.25	0.19	3.50	2.81
10	66.80	33.40	31.75	4.78	88.90	71.45
1/2"	2.88	1.44	1.25	0.19	3.50	2.81
15	73.15	36.58	31.75	4.78	88.90	71.45
3/4"	4.00	2.00	1.75	0.19	3.75	2.81
20	101.60	50.80	44.45	4.78	95.25	71.45



NA002



MATERIAL LIST

ITEM	Q'TY	PART NAME	NA002-1	NA002-3
1	1	BODY	A479 T SS 316	AISI 1215
4	1	BONNET	A479 T SS 316	AISI 1215
8	1	STEM	NITRONIC 60	SS 316
12	1	STEM SEAL	PTFE	
15	1	STEM PACKING	NYLON 66	
18	1	O-RING	VITON	
20	1	CAP	DELTRIN	
30	1	HANDLE	SS 304	CS
39	1	LOCK PIN	SS 304	
42	1	HANDLE BOLT	SS 304	CS

DIMENSIONS

IN/MM

NPS DN	A	A1	B	D	H	L
1/4"	3.00	1.25	1.25	0.19	3.50	2.81
8	76.20	31.75	31.75	4.78	88.90	71.45
3/8"	3.06	1.53	1.25	0.19	3.50	2.81
10	77.72	38.86	31.75	4.78	88.90	71.45
1/2"	3.50	1.44	1.25	0.19	3.50	2.81
15	88.90	36.58	31.75	4.78	88.90	71.45
3/4"	5.00	2.00	1.75	0.19	3.75	2.81
20	127.00	50.80	44.45	4.78	95.25	71.45



KONG SHENG VALVE IND., CO., LTD.
KONG JIH VALVE IND., CO., LTD.

Office.
 tel. 886-2-2823 9311 fax. 886-2-2823 9319
 Factory.
 tel. 886-4-2681 5268 fax. 886-4-2681 5788
 E-mail: marketing@ksvalve.com