



NB001/NB002

MODEL: NB001/NB002

Needle Valve

Female x Female / Female x Male 6000WOG

PRODUCT FEATURES

- Delrin soft seated
- M x F or F x F connections available
- Carbon Steel or Stainless steel
- Manufacture & Tested to API 598

SPECIFICATION

- Pressure Rating: 6000 PSI WOG
- Size Available: 1/4" to 1"

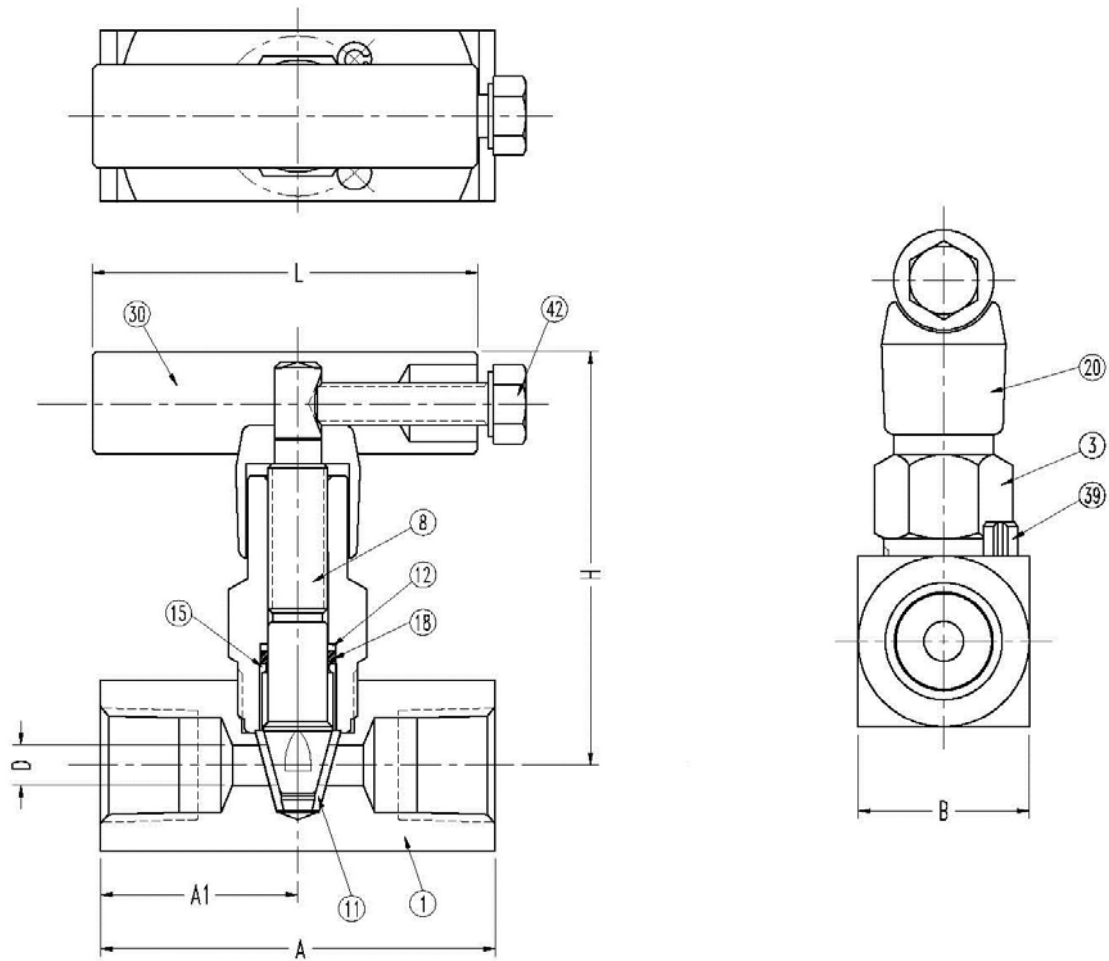


Keeping Safety
with safe Valves

KSV valves offer positive solutions for all your flow-control applications



NB001



MATERIAL LIST

ITEM	Q'TY	PART NAME	NB001-1	NB001-3
1	1	BODY	A479 T SS 316	AISI 1215
3	1	BONNET	A479 T SS 316	AISI 1215
8	1	STEM	SS 316	
11	1	SEAT	DELRIN 100AF	
12	1	STEM SEAL	PTFE	
15	1	STEM PACKING	NYLON 66	
18	1	O-RING	VITON	
20	1	CAP	DELRIN	
30	1	HANDLE	SS 304	CS
39	1	LOCK PIN	SS 304	
42	1	HANDLE BOLT	SS 304	CS

DIMENSIONS

IN/MM

NPS DN	A	A1	B	D	H	L
1/4"	2.50	1.25	1.25	0.29	3.50	2.81
8	63.50	31.75	31.75	7.37	88.90	71.45
1/2"	2.88	1.44	1.25	0.29	3.50	2.81
15	73.15	36.58	31.75	7.37	88.90	71.45
3/4"	4.00	2.00	1.75	0.29	3.75	2.81
20	101.60	50.80	44.45	7.37	95.25	71.45
1"	4.00	2.00	1.75	0.29	3.75	2.81
25	101.60	50.80	44.45	7.37	95.25	71.45

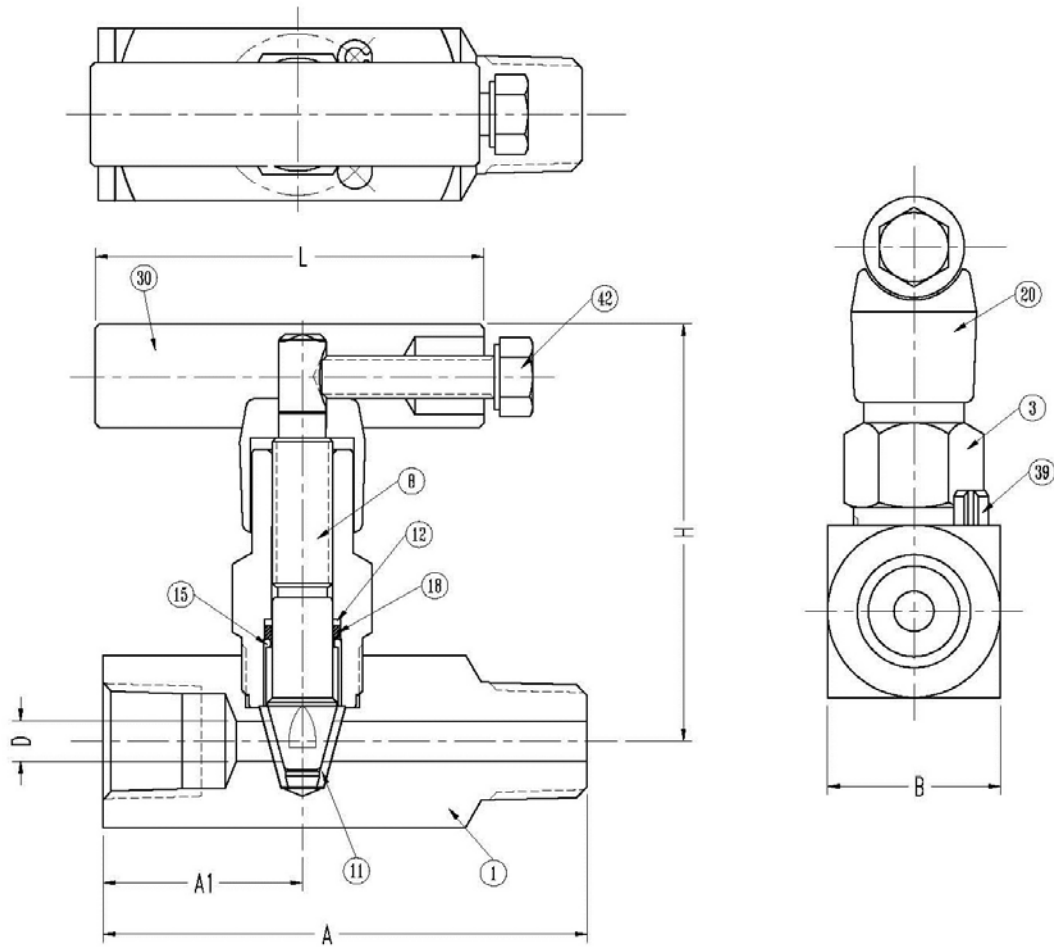


KONG SHENG VALVE IND., CO., LTD.
KONG JIH VALVE IND., CO., LTD.

Office.
 tel. 886-2-2823 9311 fax. 886-2-2823 9319
 Factory.
 tel. 886-4-2681 5268 fax. 886-4-2681 5788
 E-mail: marketing@ksvalve.com



NB002



MATERIAL LIST

ITEM	Q'TY	PART NAME	NB002-1	NB002-3
1	1	BODY	A479 T SS 316	AISI 1215
3	1	BONNET	A479 T SS 316	AISI 1215
8	1	STEM	SS 316	
11	1	SEAT	DELTRIN 100AF	
12	1	STEM SEAL	PTFE	
15	1	STEM PACKING	NYLON 66	
18	1	O-RING	VITON	
20	1	CAP	DELTRIN	
30	1	HANDLE	SS 304	CS
39	1	LOCK PIN	SS 304	
42	1	HANDLE BOLT	SS 304	CS

DIMENSIONS

IN/MM

NPS DN	A	A1	B	D	H	L
1/4"	3.00	1.25	1.25	0.29	3.50	2.81
8	76.20	31.75	31.75	7.37	88.90	71.45
3/8"	3.06	1.31	1.25	0.29	3.50	2.81
10	77.72	33.27	31.75	7.37	88.90	71.45
1/2"	3.50	1.44	1.25	0.29	3.50	2.81
15	88.90	36.58	31.75	7.37	88.90	71.45
3/4"	3.50	1.44	1.25	0.29	3.50	2.81
20	88.90	36.58	31.75	7.37	88.90	71.45
1"	5.00	2.00	1.75	0.29	3.75	2.81
25	127.00	50.80	44.50	7.37	95.25	71.45



KONG SHENG VALVE IND., CO., LTD.
KONG JIH VALVE IND., CO., LTD.

Office.
tel. 886-2-2823 9311 fax. 886-2-2823 9319
Factory.
tel. 886-4-2681 5268 fax. 886-4-2681 5788
E-mail: marketing@ksvalve.com