



B160N

MODEL: B160N

1-Piece Ball Valve

Reduce Port 2000WOG

PRODUCT FEATURES

- One-Piece Ball Valve
- Manufacture & Tested to MSS SP-110, API 598
- Various Thread Types Available (NPT, BSP, & Etc.)
- For General Purpose Industrial and Chemical Applications
- Oval Handle as request
- Blow-Out Proof Stem

SPECIFICATION

- Carbon Steel Hexagon Barstock
- Pressure Rating: 2000 PSI WOG
- Size Available: 1/4" to 2"
- Shell Test at 3000 PSI Water and 100 PSI Air
- Seat Test at 2200 PSI Water and 100 PSI Air

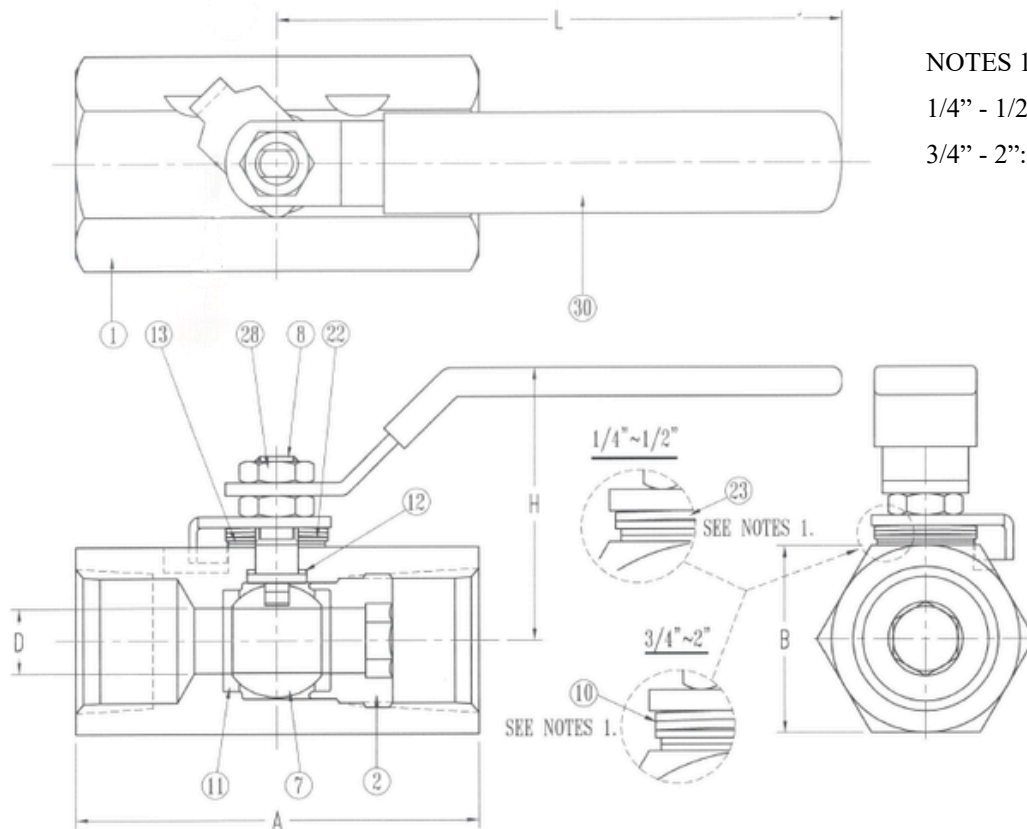


Keeping Safe
with safe Valves

KJV valves offer positive solutions for all your flow-control applications



B160N



NOTES 1: MATERIAL LIST ITEM 10 & 23:
 1/4" - 1/2": 1PCS
 3/4" - 2": 2PCS

MATERIAL LIST

ITEM	Q'TY	PART NAME	B160N-3
1	1	BODY	AISI 1017
2	1	SPACER	WCB
7	1	BALL	CF8M/SS 316
8	1	STEM	SS 316
11	2	SEAT	TFE/RTFE
12	1	STEM SEAL	TFE/RTFE
13	2	THRUST WASHER	TFE/RTFE
22	1	PLATE WASHER	SS 304
10.23	2	BELL WASHER	W1-8 CS(SK5)
28	2	LOCK NUT	A283 CS
30	1	HANDLE	A283 CS

DIMENSIONS

NPS DN	IN/MM				
	A	B	D	H	L
1/4"	2.36	1.14	0.35	1.61	3.48
8	60.00	29.00	9.00	41.00	88.40
3/8"	2.36	1.14	0.35	1.61	3.48
10	60.00	29.00	9.00	41.00	88.40
1/2"	2.76	1.14	0.35	1.61	3.48
15	70.00	29.00	9.00	41.00	88.40
3/4"	2.95	1.38	0.47	2.10	4.18
20	75.00	35.00	12.00	53.50	106.40
1"	3.54	1.61	0.62	2.50	5.00
25	90.00	41.00	15.80	63.50	127.00
1-1/4"	3.74	1.97	0.81	2.68	5.00
32	95.00	50.00	20.50	68.00	127.00
1-1/2"	4.00	2.36	1.00	2.99	6.57
40	101.5	60.00	25.40	76.00	167.00
2"	4.33	2.76	1.25	3.23	6.57
50	110.00	70.00	31.75	82.00	167.00



Kong Jih Valve Industrial Co., Ltd

Tel: +886-4-2681 3379
 Fax: +886-4-2682 1368
 E-mail: marketing@kjsvalve.com