



B260G/B260W

MODEL: B260G/B260W

2-Piece Ball Valve

3000WOG / 6000WOG

PRODUCT FEATURES

- Two-Pieces Ball Valve
- Manufacture & Tested to MSS SP-110, API 598, API 608
- Fire Test API 607 4th Edition
- Full Port and Reduced Port Version Available
- Seats in Delrin at 3000 psi, PEEK at 6000 psi
- ISO 5211 Actuator Mounting Pad on all Sizes
- Standard Locking Handle

SPECIFICATION

- Investment Casting for Valve Body
- Pressure Rating:
3000 PSI WOG / 6000 PSI WOG
- Size Available: 1/4" to 1"
- Stainless Steel and Carbon Steel Available

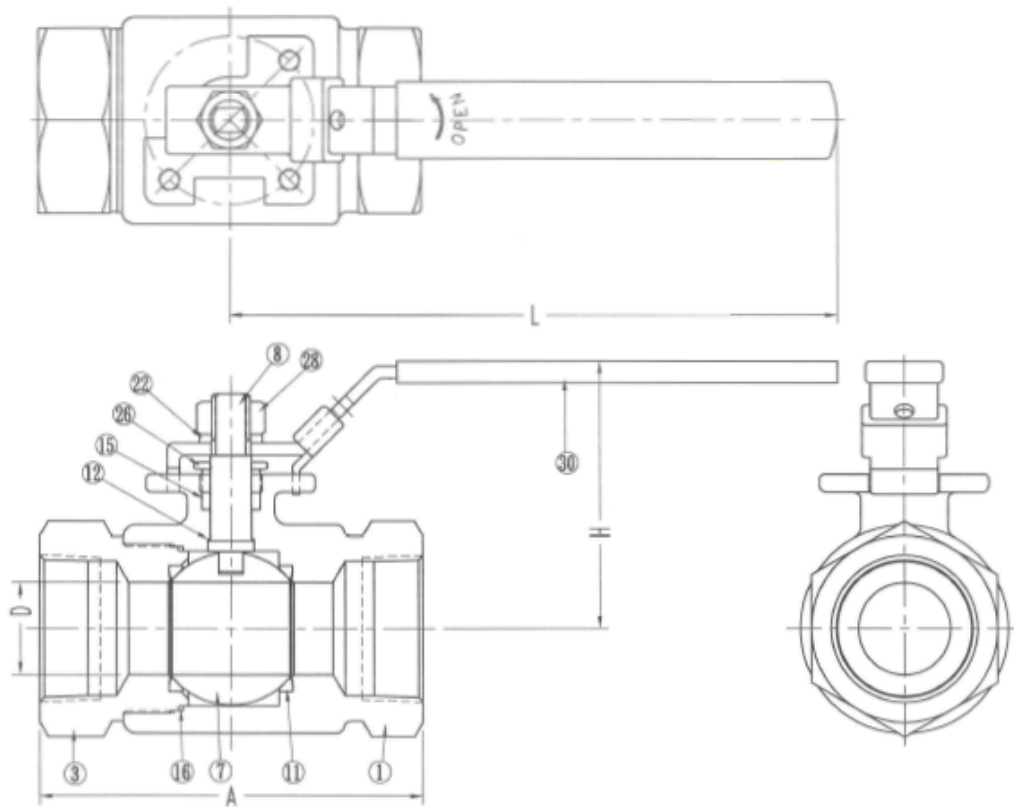


Keeping Safe
with safe Valves

KJV valves offer positive solutions for all your flow-control applications



B260G /B260W



MATERIAL LIST

ITEM	Q'TY	PART NAME	B260G-1/ B260W-1	B260G-3/ B260W-3
1	1	BODY	A351 CF8M	A216 WCB
3	1	ADAPTER	A351 CF8M	AISI 1017
7	1	BALL	A351 CF8M/SS 316	
8	1	STEM	SS 316	
11	1	SEAT	DELFIN/PEEK	
12	2	THRUST BEARING	DELFIN/PEEK	
15	1	PACKING	GRAPHITE	
16	1	ADAPTER GASKET	GRAPHITE	
22	1	HANDLE NUT WASHER	SS	
26	1	PACKING NUT	SS 316	CS
28	1	HANDLE NUT	SS	
30	1	HANDLE ASSEMBLY	SS 304	CS

DIMENSIONS

IN/MM

NPS DN	ISO 5211	A	D	L	H
1/4"	F03	3.00	0.25	5.00	2.24
8	F03	76.20	6.35	127.00	57.00
1/2"	F03	4.00	0.50	5.00	2.24
15	F03	101.60	12.70	127.00	57.00
3/4"	F04	4.25	0.75	5.71	2.83
20	F04	107.95	19.05	145.00	72.00
1"	F04	4.25	0.75	5.71	2.83
25	F04	107.95	19.05	145.00	72.00



Kong Jih Valve Industrial Co., Ltd

Tel: +886-4-2681 3379

Fax: +886-4-2682 1368

E-mail: marketing@ksvalve.com