



B380K

MODEL: B380K

3-Piece Ball Valve

Full Port 1000 WOG

PRODUCT FEATURES

- Three-Piece Ball Valve
- Manufacture & Tested to MSS SP-110, API 598
- Various Connection Available (NPT, BSP, S.W., B.W., etc.)
- For General Purpose Industrial and Chemical Applications
- Blow-Out Proof Stem

SPECIFICATION

- Investment Casting
- Pressure Rating: 800 PSI/ 1000 PSI
- Size Available: 1/4" to 4"
- Shell Test at 1.5 Times Water and 100 PSI Air
- Seat Test at 1.1 Times Water and 100 PSI Air

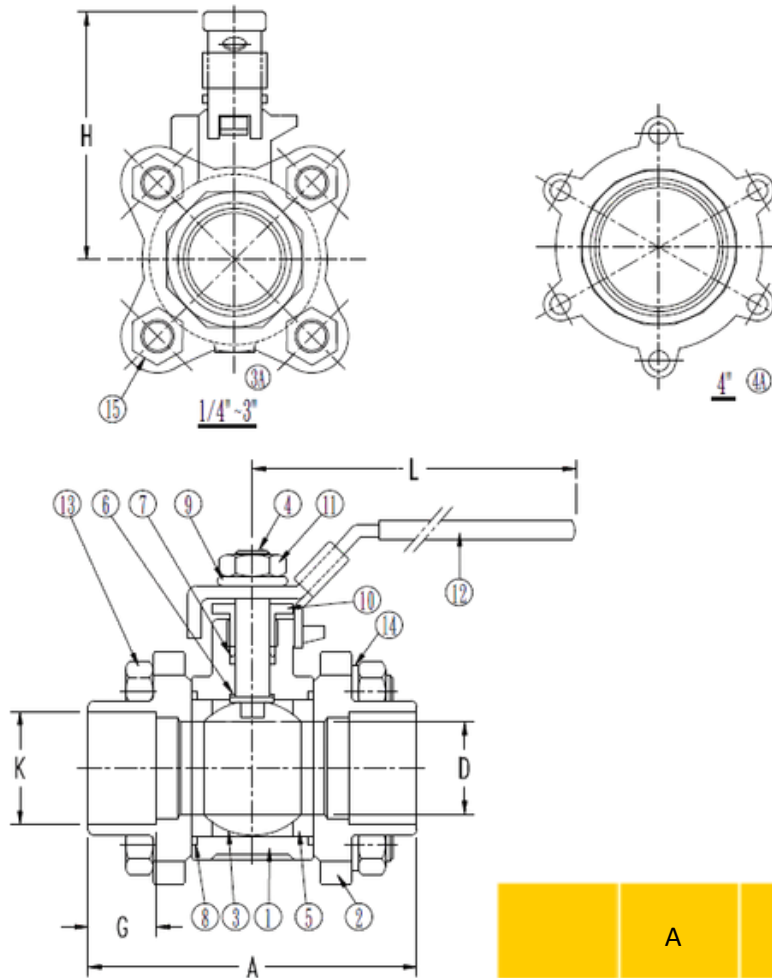


Keeping Safe
with safe Valves

KJ valves offer positive solutions for all your flow-control applications



B380K



MATERIAL LIST

ITEM	Q'TY	PART NAME	B380K-1	B380K-3
1	1	BODY	A351-CF8M	A216-WCB
2	2	BODY CAP	A351-CF8M	A216-WCB
3	1	BALL	A351-CF8M	
4	1	STEM	SS 316	
5	2	SEAT	RTFE/TFE	
6	1	STEM SEAL	RTFE/TFE	
7	1 SET	STEM PACKING	TFE	
8	2	UNION SEAL	RTFE/TFE	
9	1	SPRING WASHER	SS 304	AISI 1008
10	1	GLAND	SS 304	AISI 1045
11	1	HANDLE NUT	SS 304	A283 CS
12	1	HANDLE	SS 304	A283 CS
13	1 SET	CAP BOLT	SS 304	A283 CS
14	1 SET	SPRING WASHER	SS 304	AISI 1008
15	1 SET	CAP NUT	SS 304	A283 CS

	A	D	H	L
1/4"	2.37	0.43	2.18	4.29
8	60.20	11.00	55.50	109.00
3/8"	2.37	0.43	2.18	4.29
10	60.20	11.00	55.50	109.00
1/2"	2.76	0.56	2.38	4.29
15	70.20	14.20	60.50	109.00
3/4"	3.03	0.81	2.87	5.75
20	76.90	20.50	73.00	146.00
1"	3.63	1.00	2.95	5.75
25	92.20	25.40	75.00	146.00
1-1/4"	4.14	1.25	3.66	7.40
32	105.20	31.75	93.00	188.00
1-1/2"	4.73	1.50	3.94	7.40
40	120.20	38.10	100.00	188.00
2"	5.43	1.97	4.25	7.99
50	138.00	50.00	108.00	203.00
2-1/2"	6.69	2.50	4.86	9.96
65	170.00	63.50	123.50	253.00
3"	7.52	3.00	5.26	9.96
80	191.00	76.00	133.50	253.00
4"	8.54	3.93	6.57	11.93
100	217.00	100.00	167.00	303.00



Kong Jih Valve Industrial Co., Ltd

Tel: +886-4-2681 3379

Fax: +886-4-2682 1368

E-mail: marketing@ksvalve.com